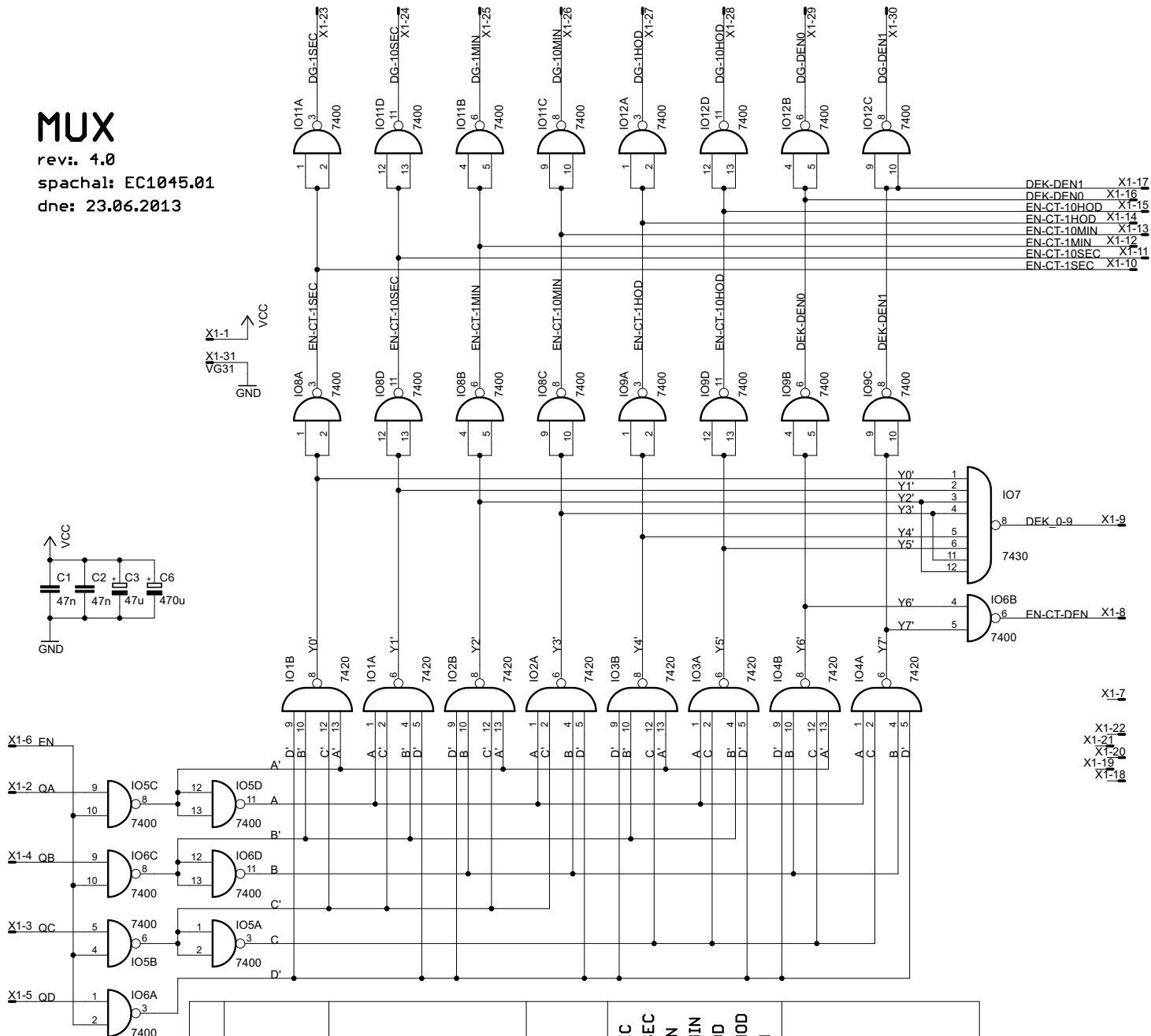
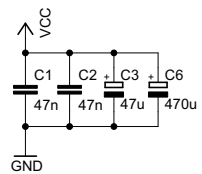


MUX

rev.: 4.0

spachal: EC1045.01

dne: 23.06.2013



EN	QA	QB	QC	QD	Y0'	Y1'	Y2'	Y3'	Y4'	Y5'	Y6'	Y7'	DEK_0-9	DEK-DEN0	DEK-DEN1	EN-CT-1SEC	EN-CT-10SEC	EN-CT-1MIN	EN-CT-10MIN	EN-CT-1HOD	EN-CT-10HOD	EN-CT-DEN	DG-1SEC	DG-10SEC	DG-1MIN	DG-10MIN	DG-1HOD	DG-10HOD	DG-DEN0	DG-DEN1
0	X	X	X	X	1	1	1	1	1	1	1	1	0	0	0	0	0	0	0	0	0	0	1	1	1	1	1	1	1	1
1	0	0	0	0	0	1	1	1	1	1	1	1	1	0	0	0	1	0	0	0	0	0	0	1	1	1	1	1	1	1
1	1	0	0	0	1	0	1	1	1	1	1	1	1	0	0	0	0	1	0	0	0	0	0	1	0	1	1	1	1	1
1	0	1	0	0	1	1	1	0	1	1	1	1	1	0	0	0	0	1	0	0	0	0	1	1	0	1	1	1	1	1
1	0	0	1	0	1	1	1	1	0	1	1	1	1	0	0	0	0	0	1	0	0	0	1	1	1	1	0	1	1	1
1	1	0	1	0	1	1	1	1	1	0	1	1	1	0	0	0	0	0	1	0	0	0	1	1	1	1	1	0	1	1
1	0	1	1	0	1	1	1	1	1	1	0	1	0	1	0	0	0	0	0	0	1	0	1	1	1	1	1	1	0	1
1	1	1	1	0	1	1	1	1	1	1	1	0	0	0	1	0	0	0	0	0	1	0	1	1	1	1	1	1	1	0
1	0	0	0	1	1	1	1	1	1	1	1	1	0	0	0	0	0	0	0	0	0	0	1	1	1	1	1	1	1	1
1	1	0	0	1	1	1	1	1	1	1	1	1	0	0	0	0	0	0	0	0	0	0	1	1	1	1	1	1	1	1
1	1	1	0	0	1	1	1	1	1	1	1	1	0	0	0	0	0	0	0	0	0	0	1	1	1	1	1	1	1	1
1	1	0	0	1	1	1	1	1	1	1	1	1	0	0	0	0	0	0	0	0	0	0	1	1	1	1	1	1	1	1
1	1	1	1	1	1	1	1	1	1	1	1	1	0	0	0	0	0	0	0	0	0	0	1	1	1	1	1	1	1	1
1	1	1	1	1	1	1	1	1	1	1	1	1	0	0	0	0	0	0	0	0	0	0	1	1	1	1	1	1	1	1
1	1	1	1	1	1	1	1	1	1	1	1	1	0	0	0	0	0	0	0	0	0	0	1	1	1	1	1	1	1	1
1	1	1	1	1	1	1	1	1	1	1	1	1	0	0	0	0	0	0	0	0	0	0	1	1	1	1	1	1	1	1

- DEK-DEN1 X1-17
- DEK-DEN0 X1-16
- EN-CT-10HOD X1-15
- EN-CT-1HOD X1-14
- EN-CT-10MIN X1-13
- EN-CT-1MIN X1-12
- EN-CT-10SEC X1-11
- EN-CT-1SEC X1-10

- X1-7
- X1-22
- X1-21
- X1-20
- X1-19
- X1-18